

11 Tectonic Crescent, Kunda Park, Qld 4556
 61 7 54451646
 www.mcberns.com | mail@mcberns.com

SWSI-S-SEAT-25-0.37-4D TECHNICAL DATASHEET

Product Name: SWSI-S-SEAT-25-0.37-4D
Fan Type: SWSI CENTRIFUGAL
Install. Type: INLINE DUCT MOUNTED

Reference: -

MOTOR SPECIFICATIONS

Parameter	Value	UoM
Electrical Supply:	400, 3, 50	V, ph, Hz
Motor Power:	0.37	kW
Full Load Current:	1.20	A
Motor Poles:	4	Ea
Fan Speed:	1450	RPM
IP Rating:	55	-



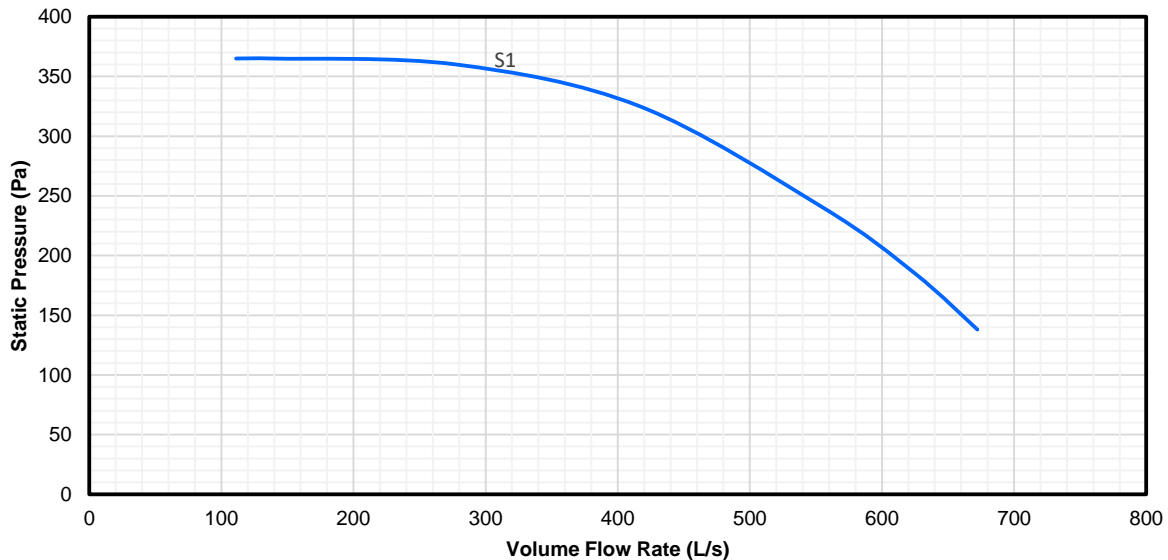
FAN SPECIFICATIONS

Parameter	Value	UoM
Speed Setting:	1	-
Mass:	11.5	kg
Casing Material:	PPH	-

SOUND DATA

Parameter	dBA
Outlet S1	73

Sound levels are quoted as ducted values at the point of optimal performance. For comparative use only.

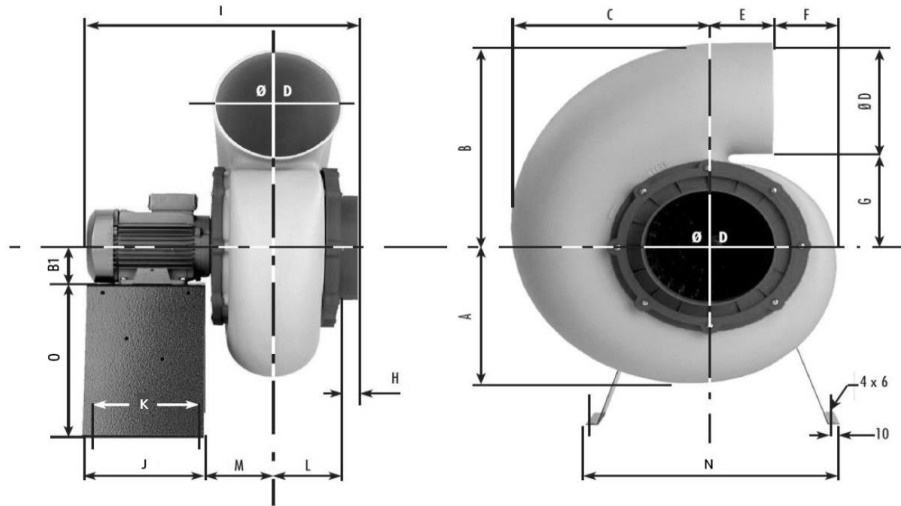


DISCLAIMERS:

1. Data shown is manufacturer's data, or data derived from manufacturer's data, that has been adjusted, where necessary, to consider the fully assembly of the product.
2. McBerna Pty Ltd reserves the right to make changes to the product at any time without notice as part of our continuous improvement process. Information provided by McBerna Pty Ltd is believed to be accurate and reliable. However, no responsibility is assumed by McBerna Pty Ltd for its use, nor for any infringements of patents or other rights of third parties which may result from its use.
3. Product shown may not be the exact listed product. Used for visualisation purposes only.

SWSI-S-SEAT-25-0.37-4D TECHNICAL DATASHEET

DIMENSIONS



A	B	E	B1	C	D	F	G	H	I	J	K	L	M	N	O
248	365	103	71	310	200	92	165	35	430	180	160	95	105	420	300

All dimensions are in millimetres.

INLET ORIENTATION TABLE

LG 0	LG 45	LG 90	LG 135	LG 180	LG 225	LG 270	LG 315

RD 0	RD 45	RD 90	RD 135	RD 180	RD 225	RD 270	RD 315

DISCLAIMERS:

1. Data shown is manufacturer's data, or data derived from manufacturer's data, that has been adjusted, where necessary, to consider the fully assembly of the product.
2. McBerms Pty Ltd reserves the right to make changes to the product at any time without notice as part of our continuous improvement process. Information provided by McBerms Pty Ltd is believed to be accurate and reliable. However, no responsibility is assumed by McBerms Pty Ltd for its use, nor for any infringements of patents or other rights of third parties which may result from its use.
3. Product shown may not be the exact listed product. Used for visualisation purposes only.