

11 Tectonic Crescent, Kunda Park, Qld 4556
 61 7 54451646
 www.mcbarns.com | mail@mcbarns.com

SWSI-S-STORM-16-2.2-2D TECHNICAL DATASHEET

Product Name: SWSI-S-STORM-16-2.2-2D
Fan Type: SWSI CENTRIFUGAL
Install. Type: INLINE DUCT MOUNTED

Reference: -

MOTOR SPECIFICATIONS

Parameter	Value	UoM
Electrical Supply:	400, 3, 50	V, ph, Hz
Motor Power:	2.20	kW
Full Load Current:	5.10	A
Motor Poles:	2	Ea
Fan Speed:	2850	RPM
IP Rating:	55	-



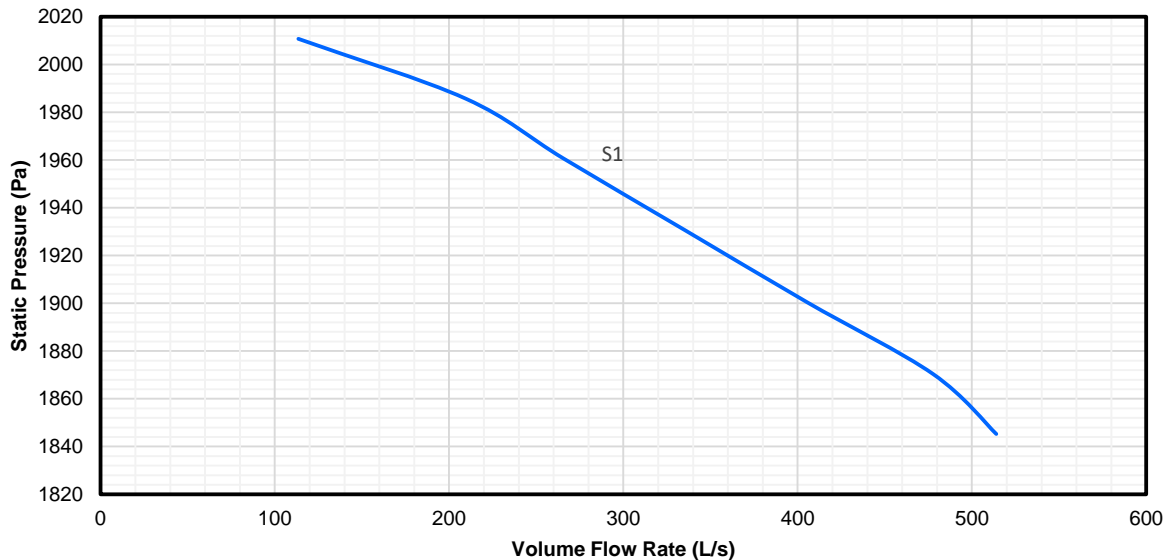
FAN SPECIFICATIONS

Parameter	Value	UoM
Speed Setting:	1	-
Mass:	22.6	kg
Casing Material:	PPH	-

SOUND DATA

Parameter	dBA
Outlet S1	93.8

Sound levels are quoted as ducted values at the point of optimal performance. For comparative use only.



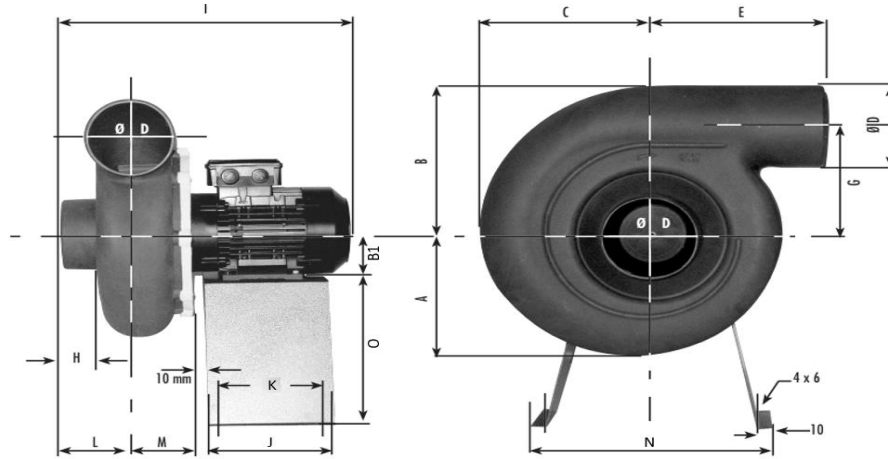
DISCLAIMERS:

1. Data shown is manufacturer's data, or data derived from manufacturer's data, that has been adjusted, where necessary, to consider the fully assembly of the product.
2. McBerns Pty Ltd reserves the right to make changes to the product at any time without notice as part of our continuous improvement process. Information provided by McBerns Pty Ltd is believed to be accurate and reliable. However, no responsibility is assumed by McBerns Pty Ltd for its use, nor for any infringements of patents or other rights of third parties which may result from its use.
3. Product shown may not be the exact listed product. Used for visualisation purposes only.

11 Tectonic Crescent, Kunda Park, Qld 4556
61 7 54451646
www.mcberns.com | mail@mcberns.com

SWSI-S-STORM-16-2.2-2D TECHNICAL DATASHEET

DIMENSIONS



A	B	E	B1	C	D	G	H	I	J	K	L	M	N	O
235	288	262	90	278	160	205	40	477	240	160	100	97	420	300

All dimensions are in millimetres.

INLET ORIENTATION TABLE

LG 0	LG 45	LG 90	LG 135	LG 180	LG 225	LG 270	LG 315

DISCLAIMERS:

1. Data shown is manufacturer's data, or data derived from manufacturer's data, that has been adjusted, where necessary, to consider the fully assembly of the product.
2. McBerms Pty Ltd reserves the right to make changes to the product at any time without notice as part of our continuous improvement process. Information provided by McBerms Pty Ltd is believed to be accurate and reliable. However, no responsibility is assumed by McBerms Pty Ltd for its use, nor for any infringements of patents or other rights of third parties which may result from its use.
3. Product shown may not be the exact listed product. Used for visualisation purposes only.