

11 Tectonic Crescent, Kunda Park, Qld 4556
 61 7 54451646
 www.mcberns.com | mail@mcberns.com

SDF 1-4 FANS TECHNICAL DATASHEET

Product Name: SWSI-SD-SDF
Fan Type: SWSI CENTRIFUGAL
Install. Type: INLINE DUCT MOUNTED

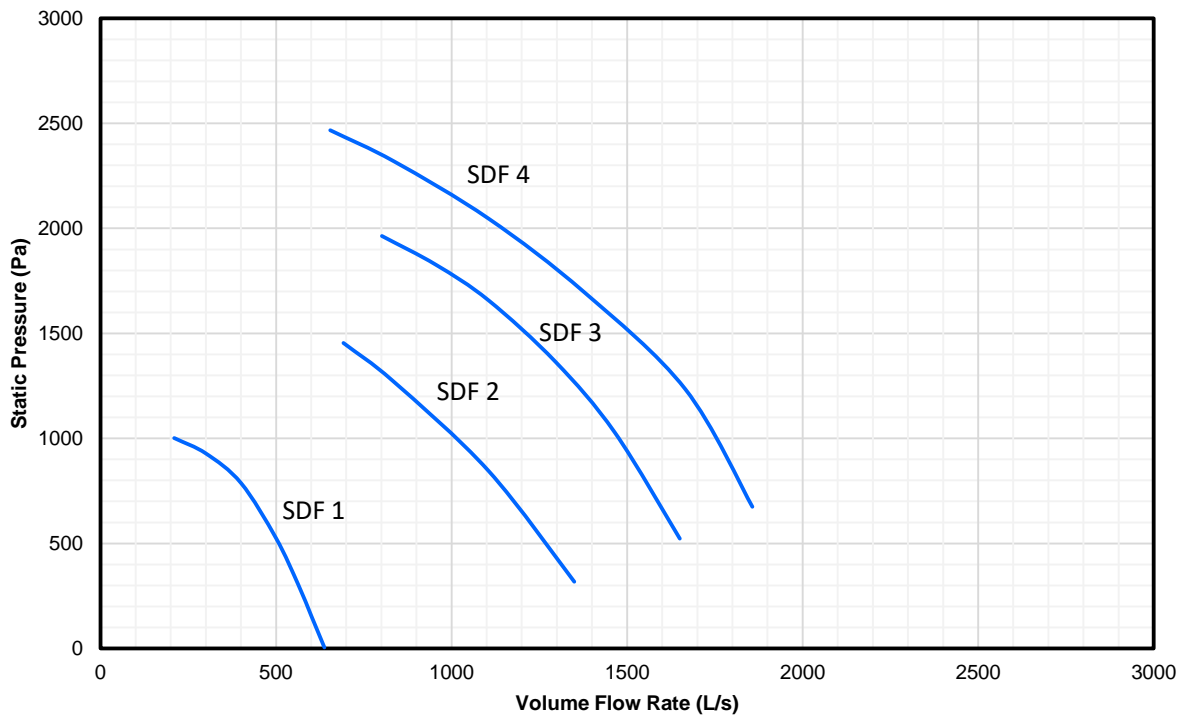
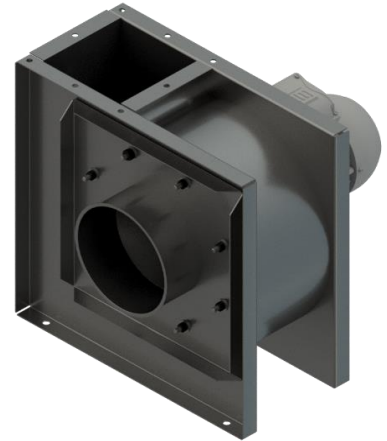
Reference: -

MOTOR SPECIFICATIONS

MODEL	kW	A	V	Ø	Poles	RPM	dBA	IP	Material	kg
SDF 1	0.75	1.68	415	3	2	2960	65	55	MS	30
SDF 2	1.5	3.11	415	3	2	2873	76	55	MS	51
SDF 3	2.2	4.50	415	3	2	2888	76	55	MS	55
SDF 4	3	5.75	415	3	2	2891	82	55	MS	92

Sound levels are quoted as ducted values at the point of optimal performance.

For comparative use only.



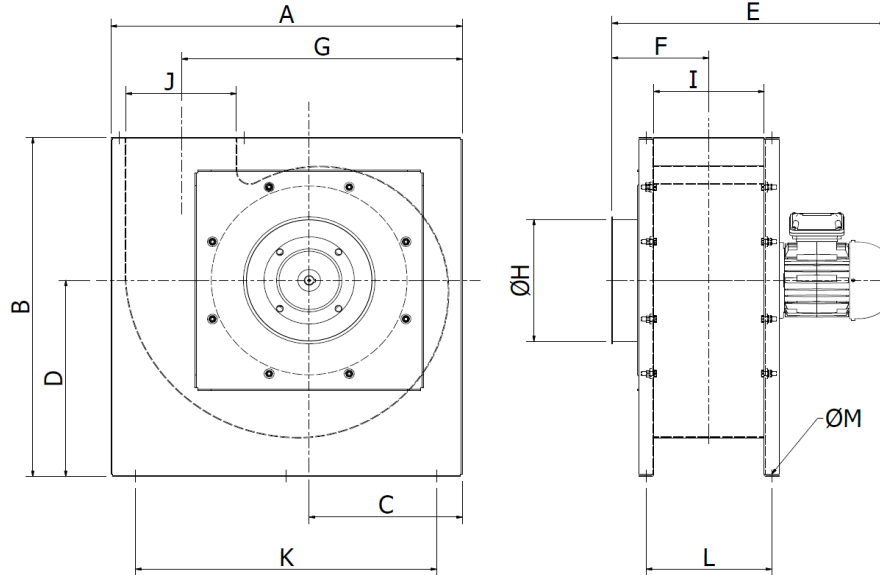
DISCLAIMERS:

1. Data shown is manufacturer's data, or data derived from manufacturer's data, that has been adjusted, where necessary, to consider the fully assembly of the product.
2. McBerns Pty Ltd Design reserves the right to make changes to the product at any time without notice as part of our continuous improvement process. Information provided by McBerns Pty Ltd is believed to be accurate and reliable. However, no responsibility is assumed by McBerns Pty Ltd for its use, nor for any infringements of patents or other rights of third parties which may result from its use.
3. Product shown may not be the exact listed product. Used for visualisation purposes only.

11 Tectonic Crescent, Kunda Park, Qld 4556
 61 7 54451646
 www.mcberns.com | mail@mcberns.com

SDF 1-4 FANS TECHNICAL DATASHEET

DIMENSIONS



MODEL	A	B	E	C	D	F	G	H	I	J	K	L	M
SDF 1	475	475	487	203	263	162	365	180	160	160	375	190	12
SDF 2	700	700	600	305	405	193	560	250	220	220	600	250	12
SDF 3	700	700	625	305	405	193	560	250	220	220	600	250	12
SDF 4	820	820	650	500	340	194	675	275	230	230	744	260	14

*All dimensions are in millimeters.

INLET ORIENTATION TABLE (SDF 1)

CW90	CW0	CW270	CW180

ACW90	ACW0	ACW270	ACW180

INLET ORIENTATION TABLE (SDF 2/3/4)

CW90	CW0	CW270	CW180

ACW90	ACW180	ACW270	ACW0

DISCLAIMERS:

1. Data shown is manufacturer's data, or data derived from manufacturer's data, that has been adjusted, where necessary, to consider the fully assembly of the product.
2. McBerms Pty Ltd Design reserves the right to make changes to the product at any time without notice as part of our continuous improvement process. Information provided by McBerms Pty Ltd is believed to be accurate and reliable. However, no responsibility is assumed by McBerms Pty Ltd for its use, nor for any infringements of patents or other rights of third parties which may result from its use.
3. Product shown may not be the exact listed product. Used for visualisation purposes only.