

11 Tectonic Crescent, Kunda Park, Qld 4556
 61 7 54451646
 www.mcberns.com | mail@mcberns.com

SDF 6-25 FANS TECHNICAL DATASHEET

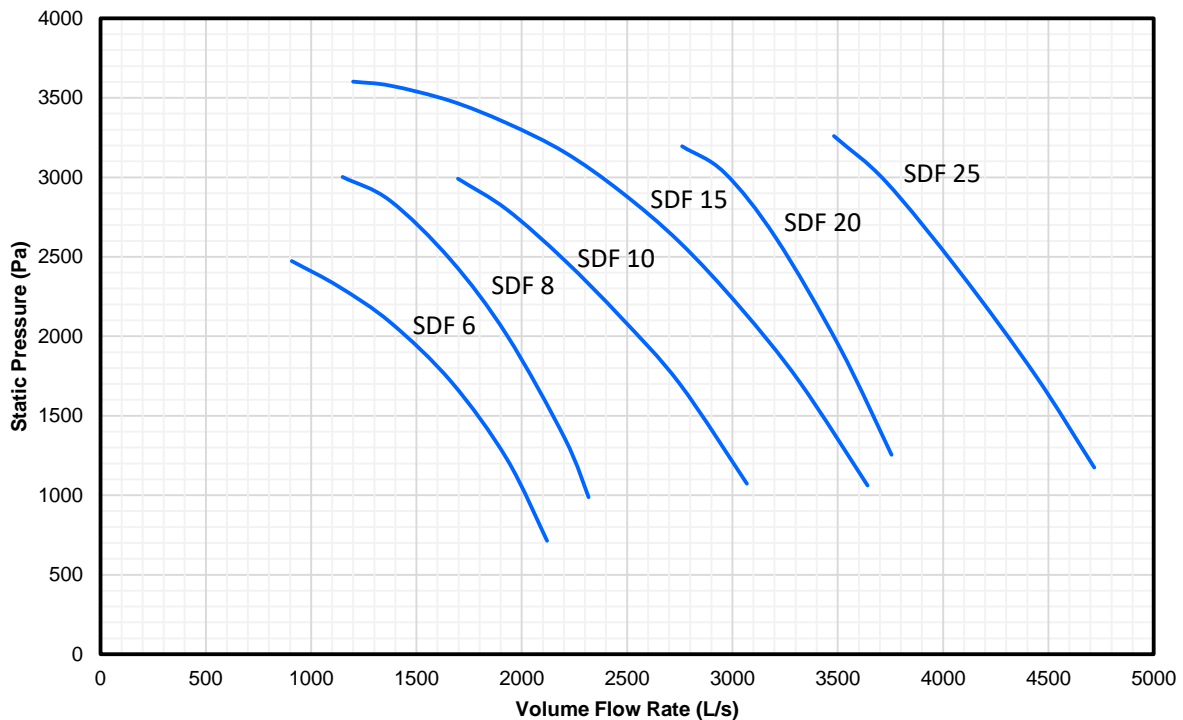
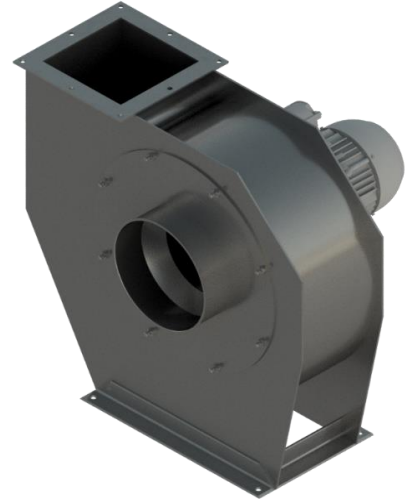
Product Name: SWSI-SD-SDF
Fan Type: SWSI CENTRIFUGAL
Install. Type: INLINE DUCT MOUNTED

Reference: -

MOTOR SPECIFICATIONS

MODEL	kW	A	V	Ø	Poles	RPM	dBA	IP	Material	kg
SDF 6	4	7.86	415	3	2	2937	84	55	MS	146
SDF 8	5.5	10.25	415	3	2	2951	85	55	MS	176
SDF 10	7.5	13.63	415	3	2	2953	86	55	MS	181
SDF 15	11	19.00	415	3	2	2950	87	55	MS	236
SDF 20	18.5	31.50	415	3	2	2940	94	55	MS	282
SDF 25	22	36.90	415	3	2	2950	95	55	MS	346

Sound levels are quoted as ducted values at the point of optimal performance.
 For comparative use only.



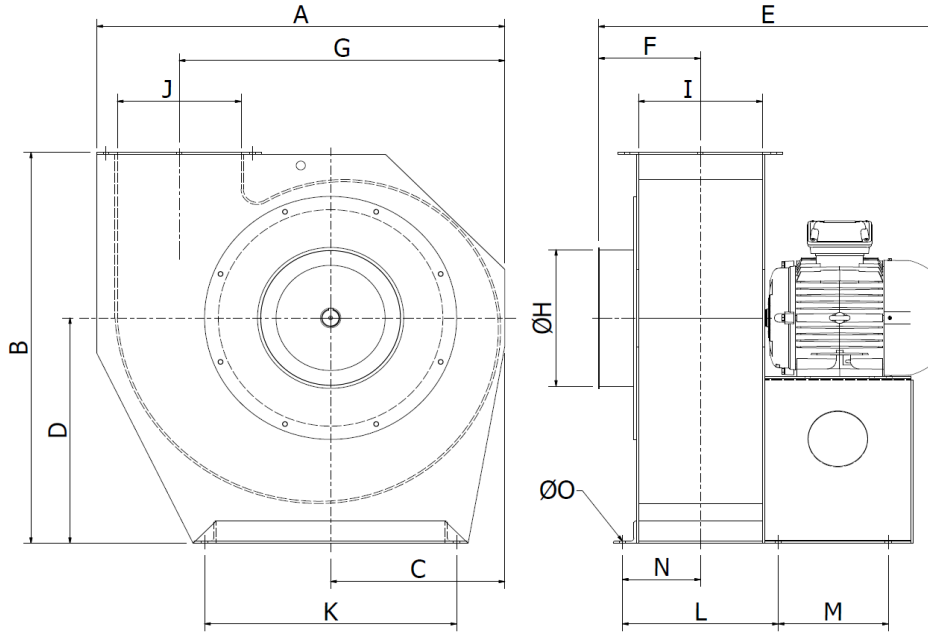
DISCLAIMERS:

1. Data shown is manufacturer's data, or data derived from manufacturer's data, that has been adjusted, where necessary, to consider the fully assembly of the product.
2. McBerns Pty Ltd Design reserves the right to make changes to the product at any time without notice as part of our continuous improvement process. Information provided by McBerns Pty Ltd is believed to be accurate and reliable. However, no responsibility is assumed by McBerns Pty Ltd for its use, nor for any infringements of patents or other rights of third parties which may result from its use.
3. Product shown may not be the exact listed product. Used for visualisation purposes only.

11 Tectonic Crescent, Kunda Park, Qld 4556
61 7 54451646
www.mcberns.com | mail@mcberns.com

SDF 6-25 FANS TECHNICAL DATASHEET

DIMENSIONS



MODEL	A	B	E	C	D	F	G	H	I	J	K	L	M	N	O
SDF 6	845	815	700	355	490	205	680	275	240	240	505	310	170	155	14
SDF 8	890	885	769	380	510	220	710	305	270	270	550	340	240	170	14
SDF 10	890	885	769	380	510	220	710	305	270	270	550	340	240	170	14
SDF 15	975	978	906	415	570	223	780	356	300	300	550	415	250	185	14
SDF 20	1045	1025	966	445	610	260	825	406	350	350	550	465	250	210	14
SDF 25	1045	1025	1029	445	610	260	825	406	350	350	550	465	250	210	14

*All dimensions are in millimeters.

INLET ORIENTATION TABLE

CW90	CW0*	CW270*	CW180*

ACW90	ACW180*	ACW270*	ACW0*

*Dimensions not shown.

DISCLAIMERS:

1. Data shown is manufacturer's data, or data derived from manufacturer's data, that has been adjusted, where necessary, to consider the fully assembly of the product.
2. McBerns Pty Ltd Design reserves the right to make changes to the product at any time without notice as part of our continuous improvement process. Information provided by McBerns Pty Ltd is believed to be accurate and reliable. However, no responsibility is assumed by McBerns Pty Ltd for its use, nor for any infringements of patents or other rights of third parties which may result from its use.
3. Product shown may not be the exact listed product. Used for visualisation purposes only.