



VF150FAN AIR FILTRATION UNIT INSTALLATION MANUAL



Table of Contents

1.0	Safety Advice.....	3
2.0	Overview.....	3
3.0	Installation.....	4
4.0	Bill of Materials	4
5.0	Dimensions.....	4
6.0	Internal Detail.....	5

1.0 Safety Advice

- Keep out of reach of children
- Refer to Safety Data Sheet
- Ensure adequate ventilation when removing filter from pack and installing.
- Do not puncture the container or otherwise interfere with the product as this will reduce the effectiveness and/or produce harmful vapours.
- First Aid Information: Poison Information Centre in each State capital city can provide additional assistance for:
 - Scheduled Poisons: Phone (Australia 13 1126)
 - Ingestion: Rinse mouth with water. Do NOT induce vomiting. Seek medical assistance.
 - Eyes & Skin: Be careful to avoid contact with contents, or fumes from the filter as they may cause irritation to eyes, skin or breathing passages. If contact occurs wash affected area with plenty of water.
 - Inhalation: Remove victim from exposure. Remove contaminated clothing and loosen remaining clothing. Allow patient to assume most comfortable position and keep warm. Keep at rest until fully recovered.
 - Seek medical advice if symptoms persist.

2.0 Overview

The air filtration system is designed to treat wastewater odour emissions entering the inlet compartment at the base of the unit. The foul air is treated by McBerns Proprietary Combined Media Cartridges, which is then emitted to atmosphere through the top compartment. The odour control unit is fabricated from uPVC material with the exterior coated in 'Pale Eucalypt'.

3.0 Installation

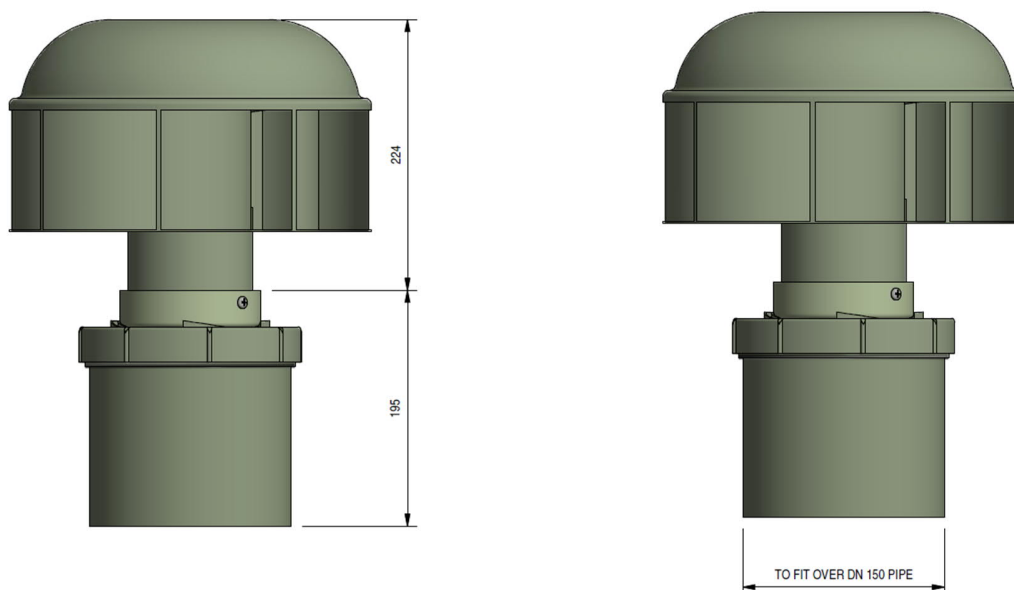
Note: Failure to comply with installation procedure will result in a void of warranty.

1. Ensure on delivery of filter all components are provided
2. Slide the filter housing over the vent port
3. Remove cap of housing by twisting off
4. Remove cartridge from packaging and insert "THIS WAY UP ↑" into housing of filter
5. Screw cap back on
6. We recommend that filter housing is secured to vent pipe with s/s screws or adhesive
7. Adaptions can be purchased from McBerns if required.

4.0 Bill of Materials

Item	Item No.	Description	Qty.
1	F150HOUSING	VF150 Housing Assembly	1
2	DOMENUTM8	Dome Nut M8 Stainless Steel	4
3	F150MC	150mm Media Cartridge	1
4	FH100FANGRN	100mm Hurricane S2 Top (Pale Eucalypt)	1

5.0 Dimensions



6.0 Internal Detail

